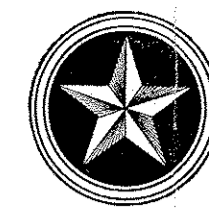
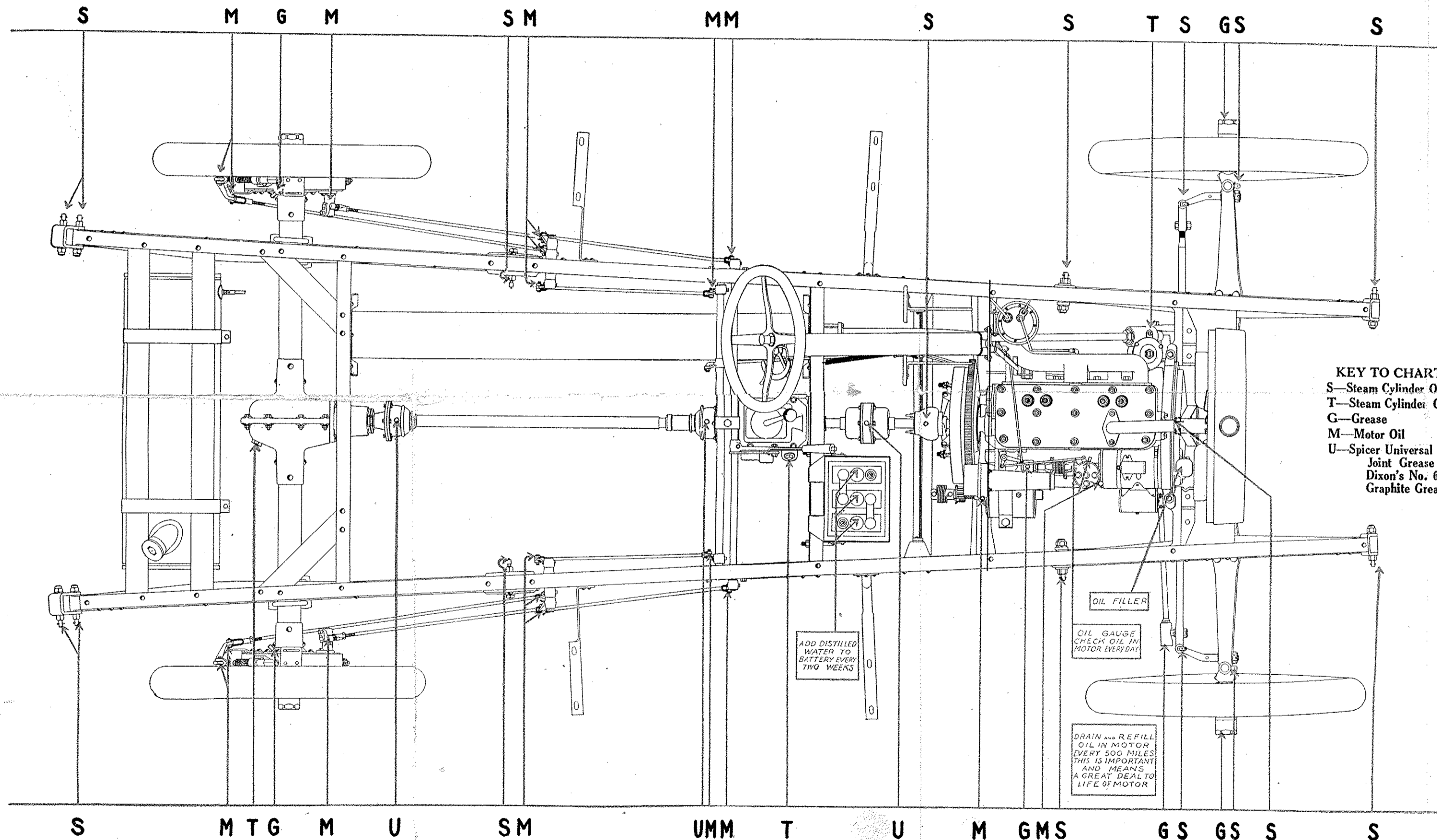


# STAR CAR LUBRICATION CHART



(Model F)

Watch Your Speedometer By following these instructions you will reduce the maintenance cost of your car.



KEY TO CHART  
 S—Steam Cylinder Oil  
 T—Steam Cylinder Oil  
 G—Grease  
 M—Motor Oil  
 U—Spicer Universal  
 Joint Grease or  
 Dixon's No. 672  
 Graphite Grease

SPEEDOMETER MILEAGE	LETTER	DATE LUBRICATED	SPEEDOMETER READING
500	M S		
1,000	M S G		
1,500	M S		
2,000	M S G		
2,500	M S T U		
3,000	M S G		
3,500	M S		
4,000	M S G		
4,500	M S		
5,000	M S G T U		
5,500	M S		
6,000	M S G		
6,500	M S		
7,000	M S G		
7,500	M S T U		
8,000	M S G		
8,500	M S		
9,000	M S G		
9,500	M S		
10,000	M S G T U		
10,500	M S		
11,000	M S G		
11,500	M S		
12,000	M S G		
12,500	M S T U		
13,000	M S G		
13,500	M S		
14,000	M S G		
14,500	M S		
15,000	M S G T U		
15,500	M S		
16,000	M S G		
16,500	M S		
17,000	M S G		
17,500	M S T U		
18,000	M S G		
18,500	M S		
19,000	M S G		
19,500	M S		
20,000	M S G T U		
20,500	M S		
21,000	M S G		
21,500	M S		
22,000	M S G		
22,500	M S T U		
23,000	M S G		
23,500	M S		
24,000	M S G		
24,500	M S		
25,000	M S G T U		
25,500	M S		
26,000	M S G		
26,500	M S		
27,000	M S G		
27,500	M S T U		
28,000	M S G		
28,500	M S		
29,000	M S G		
29,500	M S		
30,000	M S G T U		
30,500	M S		
31,000	M S G		
31,500	M S		
32,000	M S G		
32,500	M S T U		
33,000	M S G		
33,500	M S		
34,000	M S G		
34,500	M S		
35,000	M S G T U		
35,500	M S		
36,000	M S G		
36,500	M S		
37,000	M S G		
37,500	M S T U		
38,000	M S G		
38,500	M S		
39,000	M S G		
39,500	M S		
40,000	M S G T U		

## DURANT MOTORS, Inc., New York, N. Y.

DURANT MOTOR CO. of NEW JERSEY  
Elizabeth, N. J.

STAR MOTOR CO. of CALIFORNIA, Inc.  
Oakland, California

DURANT MOTOR CO. of MICHIGAN  
Lansing, Mich.